



Rooftop Products

ROOF HATCH, SMOKE VENT + FALL PROTECTION

07 7200 | PRODUCT CATALOG



Great Products.
Better Partners.



FALL PROTECTION

05 5213 / 07 7200



ACCESS DOORS

08 3100



FLOOR DOORS

08 3100



STAIR TREADS + NOSINGS

05 5000



ENTRANCE MATS + GRILLES

12 4813 / 12 4816



WALL + DOOR PROTECTION

10 2600



ROOF HATCHES + SMOKE VENTS

07 7200



Quality + Safety above all

Rooftop Products

ROOF HATCHES	5-11
Personnel™ II	5
Personnel™	6
Energy Efficient	7
SunLit™	8
Security	9
Hurricane Hatch™	10
Equipment Hatch	11

ROOF HATCH FALL PROTECTION	12-13
Safety Railing	12
Ladder Safety Post	13
Grab Bar	13

SMOKE VENTS	14-19
SafeMAX™	14-15
LightMAX™	16-17
AcousticMAX™	18-19

SMOKE VENT FALL PROTECTION	20-21
Safety Railing	20
Burglar Bars	21
Screen	21

GUARD RAIL FALL PROTECTION	22-23
Weighted Base	22
Permanent	23

Configurable Options

Access	24
Lock	24
Operation	24
Curb	25
Dome	25
Multiwall	25
Powder Coat	26
Anodize	27
Kynar	27

More than a source for your
commercial building products...

A Partnership

Dear Partner,

Thank you for your continued confidence in Babcock-Davis. On behalf of the entire company, I can tell you that we are motivated and inspired to grow our partnership. Working with you to deliver commercial building products and services that exceed your expectations is our top priority.

For over 100 years, we have remained dedicated to building and designing the highest quality commercial building products. Our product offering and manufacturing capabilities have grown significantly over the years thanks to the quality commitment of our many hard working employees in Minnesota. We proudly stand behind every product that we ship out every day and around the world.

Sourcing commercial building products is never as simple as it seems. This is particularly true when it comes to the type of specialty and architectural building products that we supply. It takes a collaborative effort of resources and information to get the job done right. We understand all the complexities and time sensitivities involved. This is why we have built such a strong network of people and processes to better serve all of you, our partners. We do so with flexibility and nimbleness that fit your objectives-not ours.

We are excited for the future and the opportunity to work with you and to continue to exceed your expectations. You have our commitment that we will work hard every day to help you succeed.

If there is anything that we can do to improve our service to you, we will listen.

Sincerely,



Sue W. Thomas | CHIEF EXECUTIVE OFFICER

Personnel II

ROOF HATCH

The Personnel II Roof Hatch is designed with OSHA life safety in mind and provides easy access to roof areas. Simple to install and operate, this roof hatch is OSHA Compliant, stays cooler and conserves energy.

FEATURES

GAS SPRING OPERATION Designed for smooth one-handed operation that complies with OSHA safety standards, this roof hatch is easy to open and close.

CLEAR LABELING Color coordinated labels clearly identify safety yellow pull down handle and red hold open arm release.

RAILING-READY Safety railings install quick and easy with predrilled counterflash, designed to meet the 42" height requirement per OSHA and IBC.



DETAILS

MATERIAL

- Aluminum: 11 gauge, mill
- Steel: Galvanneal 14 gauge, red oxide or high reflectance white powder coat

COVER Formed metal cover with liner, stiffened to withstand a live load of 40psf with a max deflection of 1/150 of the span

CURB Single wall curb with EZ tab counterflash and mounting flange

INSULATION 1 inch polyiso R-6 in curb, 1 inch polystyrene in cover

GASKET Extruded EPDM adhesive backed gasket seal, continuous around curb and cover

SPRING Gas spring with damper for smooth, controlled lift assistance

HINGE Heavy-duty pintle hinge with stainless steel hinge pin

HOLD OPEN ARM Zinc plated steel automatic hold open arm locks cover in open position

LATCH Zinc plated steel slam latch with exterior and interior turn handle and padlock hasps; 20psf wind uplift

PULL HANDLE Interior safety pull down handle, yellow powder coat

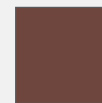
STANDARD MODELS

RED	WHITE	ALUMINUM	SIZE (IN.)	ACCESS
BG3630	BW3630	BA3630	36 x 30	Ladder
BG3636	BW3636	BA3636	36 x 36	Ladder
BG4848	BW4848	BA4848	48 x 48	Ladder
BG3054	BW3054	BA3054	30 x 54	Ship Stair

FINISHES



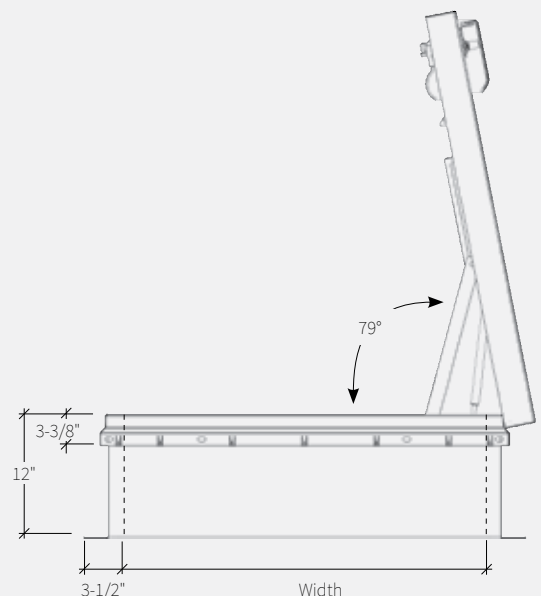
Mill Aluminum



Red Oxide Powder Coat



High Reflectance White Powder Coat



Personnel

ROOF HATCH

Babcock-Davis' Personnel Roof Hatch is easily customizable and provides safe access to roof areas on your building. Sized for ladder, ship stair, and service stair access with optional safety railings, grab bars and a variety of materials and finishes.



FEATURES

POWDER COAT FINISH The standard (BRHPPG) red oxide powder coat finish provides outstanding corrosion resistance, superior gloss and color retention.

INSULATION OPTIONS Available with polyiso for improved thermal performance, mineral wool for sound attenuation and fire-resistance, and industry standard fiberboard.

DETAILS

MATERIAL OPTIONS

- Aluminum: 11 gauge, mill finish
- Galvanneal Steel: 14 gauge, red oxide or high reflectance white powder coat
- Stainless Steel: Type 304, 14 gauge, 2B matte finish

COVER Formed metal cover with liner, stiffened to withstand a live load of 40psf with a max deflection of 1/150 the span

CURB Single wall curb with EZ tab counterflash and mounting flange

INSULATION 1 inch polystyrene in cover, 1 inch fiberboard around curb

GASKET Extruded EPDM adhesive backed gasket seal continuous around cover

SPRING/HINGE ASSEMBLY Zinc plated steel tamper-proof hinges contained within spring assembly, includes steel compression springs

HOLD OPEN ARM Zinc plated steel automatic hold open arm locks cover in open position

LATCH Zinc plated steel latch with exterior and interior turn handles and padlock hasps

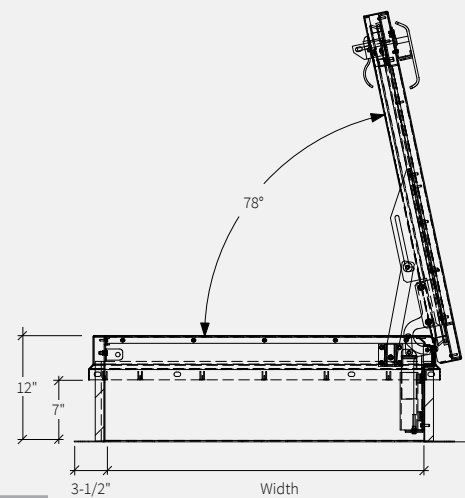
- 20psf wind uplift for lengths ≤60 inch with slam latch
- 90psf wind uplift for lengths >60 inch with 2-point rotary latch

STANDARD MODELS

GALVANNEAL STEEL RED	GALVANNEAL STEEL WHITE	ALUMINUM	SIZE (IN.)	ACCESS
BRHPPG30X72S1T	BRHPW30X72S1T	BRHPA30X72S1T	30 x 72	Ship Stair or Alternating Tread
BRHPPG30X77S1T	BRHPW30X77S1T	BRHPA30X77S1T	30 x 77	Ship Stair or Alternating Tread
BRHPPG30X96S1T	BRHPW30X96S1T	BRHPA30X96S1T	30 x 96	Service Stair
BRHPPG36X54S1T	BRHPW36X54S1T	BRHPA36X54S1T	36 x 54	Ship Stair or Alternating Tread
BRHPPG36X96S1T	BRHPW36X96S1T	BRHPA36X96S1T	36 x 96	Service Stair

Additional sizes and options available, call for more information.

FINISHES



Energy Efficient

ROOF HATCH

The Energy Efficient Roof Hatch provides added thermal performance on a standard personnel access roof hatch. Sized for ladder, ship stair, and service stair access with optional safety railings, grab bars and a variety of materials and finishes.



FEATURES

IECC COMPLIANCE Code C402 for commercial building envelopes requires $\geq R-5$ in skylight curbs, a gasket weather seal to minimize air leakage and a solar reflectance index ≥ 82 in climate zones 1, 2, 3.

ENHANCED INSULATION Two inch polyiso insulation provides a thermally efficient design to help maintain building envelope integrity.

DETAILS

MATERIAL

- Aluminum: 11 gauge, mill finish
- Steel: 14 gauge galvalume, high reflectance white or red oxide powder coat

COVER Formed metal cover withstands a live load of 40psf with a max deflection of 1/150 the span

CURB Single wall curb with EZ tab counterflash and mounting flange

INSULATION 2 inch Polyiso in cover and curb; R-12

GASKET Extruded EPDM adhesive backed gasket seal, continuous around curb and cover

SPRING/HINGE ASSEMBLY Zinc plated steel tamper-proof hinges contained within spring assembly, includes steel compression springs

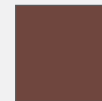
HOLD OPEN ARM Zinc plated steel automatic hold open arm locks cover in open position

LATCH Zinc plated steel latch with exterior and interior turn handles and padlock hasps

FINISHES



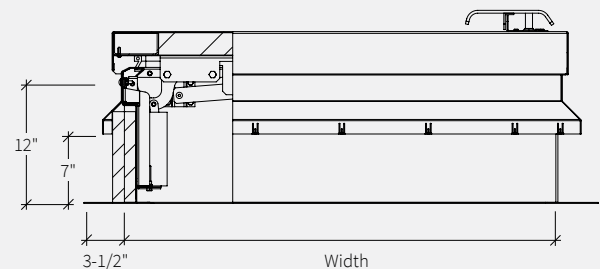
Mill Aluminum



Red Oxide Powder Coat



High Reflectance White Powder Coat



STANDARD MODELS

GALVANNEAL STEEL RED	GALVANNEAL STEEL WHITE	ALUMINUM	SIZE (IN.)	ACCESS
BRHPG36X30S1T-IRR	BRHPW36X30S1T-IRR	BRHPA36X30S1T-IRR	36 x 30	Ladder
BRHPG36X36S1T-IRR	BRHPW36X36S1T-IRR	BRHPA36X36S1T-IRR	36 x 36	Ladder
BRHPG48X48S1T-IRR	BRHPW48X48S1T-IRR	BRHPA48X48S1T-IRR	48 x 48	Ladder
BRHPG30X54S1T-IRR	BRHPW30X54S1T-IRR	BRHPA30X54S1T-IRR	30 x 54	Ship Stair
BRHPG30X96S1T-IRR	BRHPW30X96S1T-IRR	BRHPA30X96S1T-IRR	30 x 96	Service Stair

Additional sizes and options available, call for more information.

Download Drawings, CAD, Spec, and LEED documents at www.BabcockDavis.com

SunLit™

ROOF HATCH

Providing natural daylighting, the SunLit Roof Hatch is engineered with a translucent dome cover that is ideal for use in commercial buildings, retail, schools and more.

FEATURES

POLYCARBONATE DOME Add the traditional look of a domed skylight with 1/8 inch thick UV coated polycarbonate available in clear, white or bronze colors.

OPTIONAL DOUBLE DOME Increase impact and thermal resistance with double glazed polycarbonate domes.

OPTIONAL INSULATION Add additional thermal performance with fully insulated curbs including 2 inch polyiso insulation; specify -ITD.



DETAILS

COVER Formed aluminum, 11 gauge, mill finish, metal cover with 1/8 inch clear polycarbonate, UV coated dome

CURB Single wall curb with EZ tab counterflash and mounting flange

- Aluminum: 11 gauge, mill finish
- Steel: 14 gauge galvalume, red oxide powder coat

INSULATION 1 inch fiberglass in cover, 1 inch fiberboard around curb

GASKET Extruded EPDM adhesive backed gasket seal continuous around cover

SPRING/HINGE ASSEMBLY Zinc plated steel tamper-proof hinges contained within spring assembly, includes steel compression springs

HOLD OPEN ARM Zinc plated steel automatic hold open arm locks cover in open position

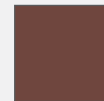
LATCH Zinc plated steel latch:

- 20psf wind uplift for lengths ≤60 inch with palm slam latch
- 90psf wind uplift for lengths >60 inches with 2-point rotary latch

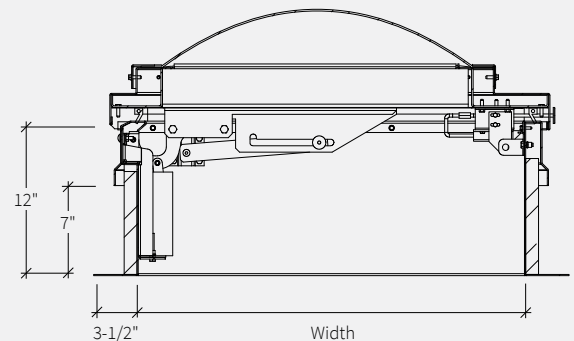
FINISHES



Mill
Aluminum



Red Oxide
Powder Coat



STANDARD MODELS

ALUMINUM	STEEL + ALUMINUM	SIZE (IN.)	ACCESS	DOOR	CURB
BRHLA36X30S1P	BRHLB36X30S1P	36 x 30	Ladder	Single	Single Wall
BRHLA36X36S1P	BRHLB36X36S1P	36 x 36	Ladder	Single	Single Wall

Additional sizes and options available, call for more information.

Security

ROOF HATCH

Designed for applications with heightened security, Babcock-Davis' Security Roof Hatch is constructed with heavy-duty materials, optional security grade locks. Ideal for prisons, banks, water treatment facilities and other high security buildings.

FEATURES

SECURITY GRADE MATERIAL Deter forced entry with extra heavy-duty top security grade roof hatches. Constructed of 3/16 inch steel or 1/4 inch aluminum.

OPTIONAL LOCKS Add essential security upgrades to your rooftop access with detention or mortise locks.

OPTIONAL VIEWPORT Gain visibility with the optional bulletproof viewport on roof hatch cover. Ideal for use in prisons and wastewater treatment facilities.



DETAILS

MATERIAL

- Aluminum: 1/4 inch, mill finish
- Steel: 3/16 inch, red oxide powder coat

COVER Formed metal cover with liner, stiffened to withstand a live load of 40psf with a max deflection of 1/150 the span

CURB Single wall curb with EZ tab counterflash and mounting flange

INSULATION 1 inch polystyrene in cover, 1 inch fiberboard around curb

GASKET Extruded EPDM adhesive backed gasket seal, continuous around cover

SPRING/HINGE ASSEMBLY Zinc plated steel tamper-proof hinges contained within spring assembly, includes steel compression springs

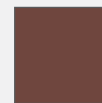
HOLD OPEN ARM Zinc plated steel automatic hold open arm locks cover in open position

LATCH Zinc plated steel latch with exterior and interior turn handles and padlock hasp

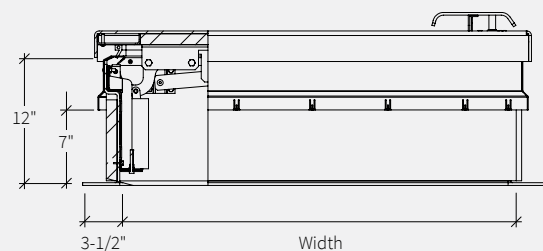
FINISHES



Mill
Aluminum



Red Oxide
Powder Coat



STANDARD MODELS

GALVANIZED STEEL	ALUMINUM	STEEL + ALUMINUM	SIZE (IN.)	ACCESS	DOOR	CURB
BRHSG36X30S1T	BRHSA36X30S1T	BRHSB36X30S1T	36 x 30	Ladder	Single	Single Wall
BRHSG36X36S1T	BRHSA36X36S1T	BRHSB36X36S1T	36 x 36	Ladder	Single	Single Wall
BRHSG30X54S1T	BRHSA30X54S1T	BRHSB30X54S1T	30 x 54	Ship Stair	Single	Single Wall

Additional sizes and options available, call for more information.

Download Drawings, CAD, Spec, and LEED documents at www.BabcockDavis.com

Hurricane Hatch™

ROOF HATCH

Built to withstand nature's toughest storms, Babcock-Davis' Hurricane Hatch™ is ideal for regions where basic wind speed reaches greater than 90 mph. This hatch was tested for wind-uplift, forced entry and air infiltration.



FEATURES

INDUSTRY'S BEST Wind uplift exceeds Florida and Miami-Dade standards with design pressure performance of +/- 100psf.

CONFIGURABLE SIZES Miami-Dade Approved sizes available up to a maximum opening of 11.25 ft² area.



NOA# 12-0320.29
Expiration Date July 19, 2017



DETAILS

MATERIAL

- Aluminum: 11 gauge, mill finish
- Steel: 14 gauge galvanized, red oxide powder coat

COVER Formed metal cover with liner, stiffened to withstand a live load of 40psf with a max deflection of 1/150 the span

CURB Single wall curb with EZ tab counterflash and mounting flange

INSULATION 1 inch polystyrene in cover, 1 inch fiberboard around curb

GASKET Extruded EPDM adhesive backed gasket seal continuous around cover

SPRING/HINGE ASSEMBLY Zinc plated steel tamper-proof hinges contained within spring assembly, includes steel compression springs

HOLD OPEN ARM Zinc plated steel automatic hold open arm locks cover in open position

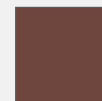
LATCH Steel zinc plated rotary latch and striker plate with exterior and interior turn handle and padlock hasp; +/-100psf wind uplift

CERTIFICATION Florida Product Approval FL15803 and Miami-Dade County, FL NOA# 12-0320.29, Expiration Date July 14, 2017

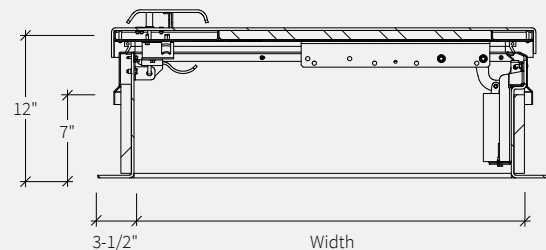
FINISHES



Mill



Red Oxide Powder Coat



STANDARD MODELS

STEEL	ALUMINUM	SIZE (IN.)	ACCESS	DOOR	CURB
BRHZG30X30S1T	BRHZA30X30S1T	30 x 30	Ladder	Single	Single Wall
BRHZG30X54S1T	BRHZA30X54S1T	30 x 54	Ship Stair	Single	Single Wall
BRHZG36X30S1T	BRHZA36X30S1T	36 x 30	Ladder	Single	Single Wall
BRHZG36X36S1T	BRHZA36X36S1T	36 x 36	Ladder	Single	Single Wall

Additional sizes and options available, call for more information.

Equipment

HATCH

Babcock-Davis' Equipment Roof Hatch is engineered to accommodate extra large equipment access through roofs. With options like curb mounts, heights, and finishes Babcock-Davis is sure to meet your equipment servicing needs.



FEATURES

LARGEST CLEAR OPENING Industry's largest clear opening allows equipment up to 14' x 20' to be installed and serviced through the roof of your building.

STAINLESS STEEL MATERIAL Upgrade to corrosion resistant 304 stainless steel for corrosive environments such as waste water treatment facilities and coastal areas.

DETAILS

MATERIAL

- Aluminum: 11 gauge, mill finish
- Steel: 14 gauge galvanized, powder coat
- Stainless Steel: Type 304 14 gauge, 2B matte finish

COVER Formed metal cover withstands a live load of 40psf with a max deflection of 1/150 the span

CURB Single wall curb with EZ tab counterflash and mounting flange

INSULATION 1 inch fiberglass in cover, 1 inch fiberboard around curb

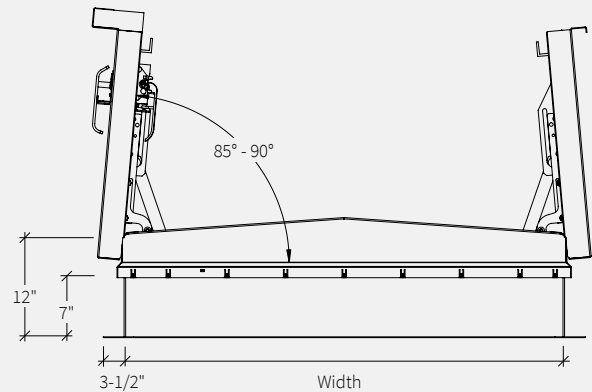
GASKET Extruded EPDM adhesive backed gasket seal continuous around cover

SPRING/HINGE ASSEMBLY Zinc plated steel tamper-proof hinge contained within spring assembly, includes steel compression spring

HOLD OPEN ARM Zinc plated steel automatic hold open arm locks cover in open position

LATCH Zinc plated steel latch with exterior and interior turn handles and padlock hasps

FINISHES



STANDARD MODELS

GALVANIZED STEEL	ALUMINUM	STAINLESS STEEL	SIZE (IN.)	DOOR	CURB
BRHEG48X48S1T	BRHEA48X48S1T	BRHES48X48S1T	48 x 48	Single	Single Wall
BRHEG60X60D1T	BRHEA60X60D1T	BRHES60X60D1T	60 x 60	Double	Single Wall
BRHEG72X72D1T	BRHEA72X72D1T	BRHES72X72D1T	72 x 72	Double	Single Wall
BRHEG60X120D1T	BRHEA60X120D1T	BRHES60X120D1T	60 x 120	Double	Single Wall

Additional sizes and options available, call for more information.

Download Drawings, CAD, Spec, and LEED documents at www.BabcockDavis.com

Safety Railing

ROOF HATCH FALL PROTECTION

Babcock-Davis' OSHA compliant Safety Railing is ideal for new and retrofit applications. The safety railing mounts to the existing roof hatch curb counterflash without penetrating the membrane or curb.

FEATURES

EASY FIELD INSTALLATION No field cutting required as rails are cut to exact size. Easy assembly fittings and quick mounting on counterflash using a patented nut backing plate.

CHAIN CLOSURE Comes with standard chain barrier with easy spring clip attachment to guard against falls.

OPTIONAL SELF CLOSING GATE (shown) Designed to automatically close, the gate is constructed with spring loaded hinges to protect against falls.



DETAILS

MATERIAL Rails and posts, galvanized steel, 1-1/4 inch ID (1.66 inch OD) Schedule 40 pipe

FINISH Mill or Powder Coat

FITTINGS Cast aluminum alloy with set screw hold

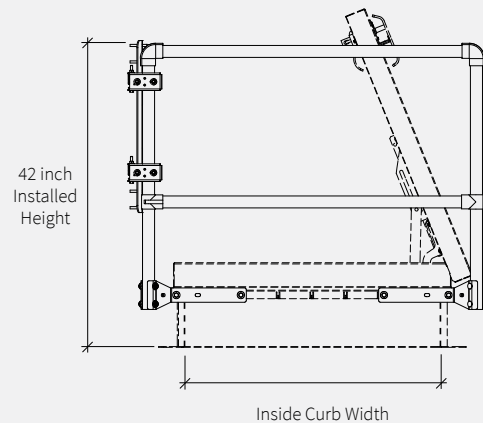
MOUNTING BRACKETS 3/16 inch steel, zinc plated with nut backing plate

HARDWARE Hex head bolts 3/8 - 16 by 3/4 inch zinc plated steel

EXIT Must be kept closed when roof hatch door is open

- Self-Closing Gate: Galvanized steel, 1-1/4 inch ID (1.66 inch OD) Schedule 40 pipe, self-closing with coil spring
- Chain: 3/16 inch zinc plated steel link chain with spring clip ends

COMPLIANCE OSHA 29 CFR1910.23 guarding floor and wall openings and holes



STANDARD MODELS

CHAIN CLOSURE		GATE CLOSURE		SIZE (IN.)	ACCESS
YELLOW	MILL	YELLOW	MILL		
SRCY30X54SC	SRCG30X54SC	SRCY30X54SG	SRCG30X54SG	30 x 54	Side
SRCY36X30FC	SRCG36X30FC	SRCY36X30FG	SRCG36X30FG	36 x 30	Front
SRCY36X36FC	SRCG36X36FC	SRCY36X36SG	SRCG36X36SG	36 x 36	Front
SRCY30X96SC	SRCG30X96SC	SRCY30X96SG	SRCG30X96SG	30 x 96	Side
SRCY36X96SC	SRCG36X96SC	SRCY36X96SG	SRCG36X96SG	36 x 96	Side
SRCY48X48FC	SRCG48X48FC	SRCY48X48FG	SRCG48X48FG	48 x 48	Front

Additional sizes available, call for more information.

Safety Post

ROOF HATCH FALL PROTECTION

The Safety Post is designed to extend 42 inches above a landing platform to aid safe ladder access through a roof hatch. The spring assisted telescoping design mounts to the top two rungs of a fixed vertical ladder.



DETAILS

MATERIAL 1-1/2 inch by 1-1/2 inch by 1/8 inch high strength square tubing with a pull-up loop provided at the upper end to facilitate raising of post.

- Steel: yellow powder coat paint or hot dip galvanized
- Stainless Steel: Type 304, mill
- Aluminum: Mill

BALANCING SPRING Stainless steel constant force spring

HARDWARE Type 316 stainless steel

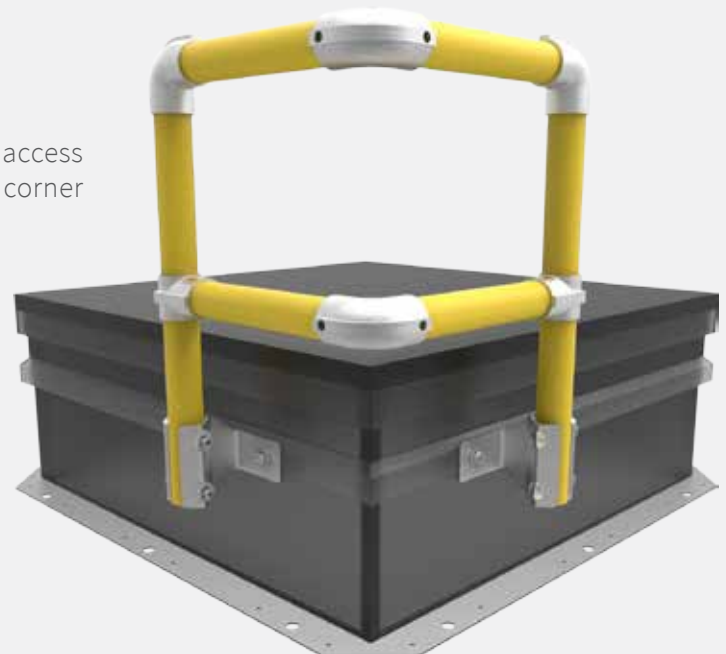
STANDARD MODELS

MODEL	MATERIAL	FINISH
BSPY	Steel	Powder Coat, Yellow
BSPG	Steel	Hot Dip Galvanized
BSPA	Aluminum	Mill
BSPS	Stainless Steel	Mill

Safety Grab Bar

ROOF HATCH FALL PROTECTION

The Safety Grab Bar is engineered to provide safe access through roof hatches. The grab bar mounts to a corner section through the curb counterflashing.



DETAILS

MATERIAL Rails and posts, galvanized steel, 1-1/4 inch ID (1.66 inch) Schedule 40 pipe

FITTINGS Cast aluminum alloy with set screw hold

MOUNTING BRACKETS 3/16 inch steel, zinc plated with nut backing plate

HARDWARE Hex head bolts 3/8 inch - 16 by 3/4 inch zinc plated steel

STANDARD MODELS

MODEL	MATERIAL	FINISH
BSGBY	Steel	Powder Coat, Powder
BSGBG	Steel	Hot Dip Galvanized

SafeMAX™ (Single Door)

SMOKE VENT

Babcock-Davis' Single Door SafeMAX Smoke Vent, engineered with a metal cover, is ideal for factory, storage and warehouse occupancies, and hoistways. Constructed with heavy-duty materials, the single door smoke vent offers the largest effective vent area.



FEATURES

GREATER EFFECTIVE VENT AREA Reduce the number of smoke vents required on the roof with the industry's largest 48 x 96 single door smoke vent.

OPTIONAL LOUVERED CURB Add additional ventilation with louvered curbs. Ideal for use in elevator shafts and hoistways.

DETAILS

MATERIAL

- Aluminum: 11 gauge, mill finish
- Steel: 14 gauge galvanized, high reflectance white powder coat

COVER Formed metal cover with liner, internally stiffened to withstand a live load of 40psf

CURB Single wall curb with EZ tab counterflash and mounting flange
Insulation 1 inch Polyiso R-6 in cover and around curb.

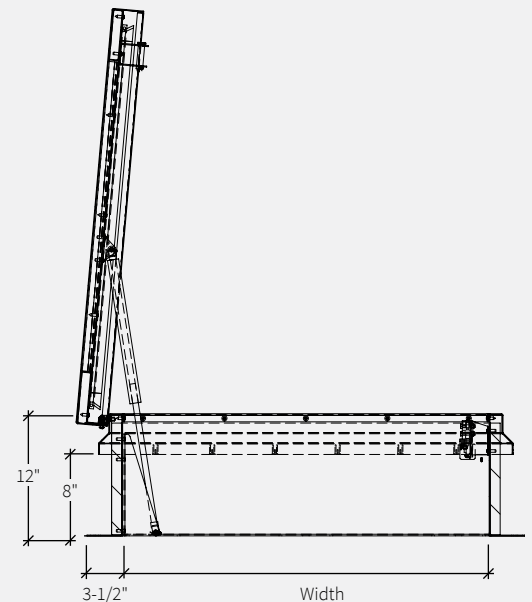
GASKET Extruded EPDM adhesive backed gasket seal, continuous around cover

HINGE Heavy-duty pintle hinge with stainless steel hinge pins
Spring Gas spring with damper opens cover against 10psf snow load

HOLD OPEN ARM Zinc plated steel automatic hold open arm locks cover in open position

LATCH Zinc plated steel rotary latch designed to hold covers closed against 30psf wind uplift. Opens manually by external and internal pull cables. Opens automatically with a fusible link at standard temperature 165°F.

CERTIFICATIONS UL 793 Listed



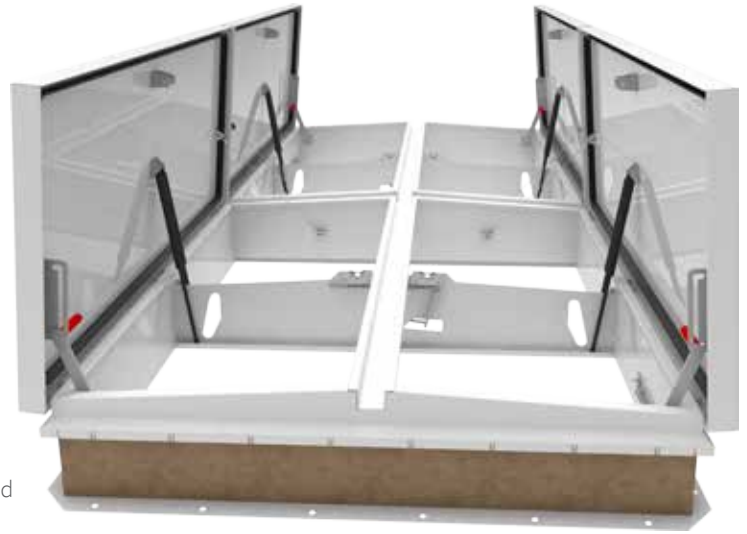
ORDER GUIDE

BASE	MATERIAL	WIDTH	X	LENGTH	DOOR	CURB	ELECTRIC	LINK TEMP (°F)	CLOSING	—	OPTIONS
BSVS			X							—	
	A Aluminum Curb & Cover	Standard Sizes (W x L) 30" x 30" 36" x 30" 36" x 36"			S Single Door	1 Single Wall	N No Electrical	165 350	R Rooftop Close		OP1 Door Position Sensor
	B Galvanized Curb / Aluminum Cover	48" x 48" 48" x 72" 48" x 96"				2 Double Wall	L 24VDC/24VAC	212 360	W Manual Winch		B1A Burglar Bars
	W Galvanized Curb & Cover	<i>Additional size options also available.</i>				3 Curb Mount	H 110VAC / 240VAC	280 450	A Linear Actuator*		
									*Voids UL		

SafeMAX™ (Double + Quad Door)

SMOKE VENT

The standard Double and Quad Door SafeMAX Smoke Vent, engineered with metal covers, is ideal for factory, storage and warehouse occupancies.



FEATURES

SECURE CLOSURE The reliable rotary latch has been third party independently tested to hold smoke vent covers closed against a 135psf wind uplift.

OPTIONAL 2 INCH INSULATION Optimize energy efficiency and upgrade thermal insulation to R-12 with 2 inch of Polyiso in the cover and curb while maintaining UL Listing.

DETAILS

MATERIAL

- Aluminum: 11 gauge, mill finish
- Steel: 14 gauge galvanized, high reflectance white powder coat

COVER Formed metal cover with liner, internally stiffened to withstand a live load of 40psf

CURB Single wall curb with EZ tab counterflash and mounting flange
Insulation 1 inch Polyiso R-6 in cover and around curb

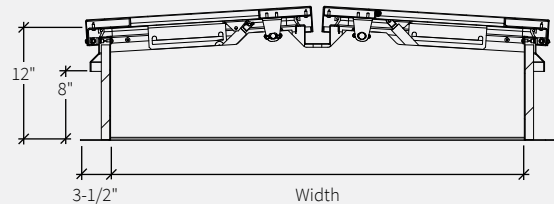
GASKET Extruded EPDM adhesive backed gasket seal, continuous around cover

HINGE Heavy-duty pintle hinge with stainless steel hinge pins
Spring Gas spring with damper opens cover against 10psf snow load.

HOLD OPEN ARM Zinc plated steel automatic hold open arm locks cover in open position.

LATCH Zinc plated steel rotary latch designed to hold covers closed against 135psf wind uplift. Opens manually by external and internal pull cables. Opens automatically with a fusible link at standard temperature 165°F.

CERTIFICATIONS UL 793 Listed



ORDER GUIDE

BASE	MATERIAL	WIDTH	X	LENGTH	DOOR	CURB	ELECTRIC	LINK TEMP (°F)	CLOSING	—	OPTIONS
BSVS			X							—	
	A Aluminum Curb & Cover	Standard Sizes (W x L) 48" x 48" 48" x 72" 48" x 96"			D Double Door	1 Single Wall	N No Electrical	165 350	R Rooftop Close		OP1 Door Position Sensor
	B Galvannealed Curb / Aluminum Cover	60" x 60" 60" x 96" 60" x 120"		72" x 72" 72" x 96"	Q Quad Door	2 Double Wall 3 Curb Mount	L 24VDC/24VAC H 110VAC / 240VAC	212 360 280 450	W Manual Winch A Linear Actuator*		B1A Burglar Bars
	W Galvannealed Curb & Cover	<i>Additional size options also available.</i>									
											<i>*Voids UL</i>

LightMAX™ (Single Door)

SMOKE VENT

Providing natural daylighting, the Single Door LightMAX Smoke Vent is engineered with a translucent cover. This smoke vent includes a clear or color tinted multiwall panel or optional domes that are ideal for use in factory, storage and warehouse commercial buildings.



FEATURES

MULTIWALL LIGHT TRANSMISSION Add optional color panels (pg. 25) to change natural daylighting characteristics.

OPTIONAL DOME Add the traditional look of a domed skylight with 1/8 inch thick UV coated polycarbonate available in clear, white or bronze colors.

DETAILS

COVER Extruded aluminum frame, 11 gauge, mill finish, with 5/8 inch 3 layer structural multiwall R-3 in white polycarbonate. Cover withstands a live load of 40psf.

CURB Single wall curb with EZ tab counterflash and mounting flange

- Aluminum: 11 gauge, mill finish
- Steel: 14 gauge galvaneal, high reflectance white powder coat

INSULATION 1 inch Polyiso R-6 around curb perimeter

GASKET Extruded EPDM adhesive backed gasket seal, continuous around cover

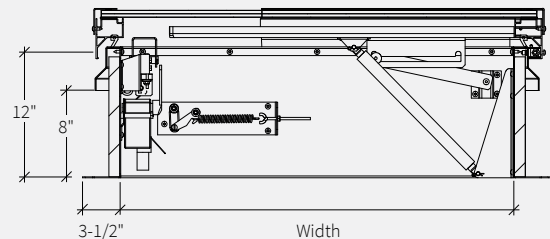
HINGE Heavy-duty pintle hing with stainless steel hinge pin

SPRING Gas spring damper opens cover against 10psf snow load

HOLD OPEN ARM Zinc plated steel automatic hold open arm locks cover in open position

LATCH Zinc plated steel rotary latch designed to hold covers closed against 30psf wind uplift. Opens manually by external and internal pull cables.

CERTIFICATIONS UL 793 Listed



ORDER GUIDE

BASE	MATERIAL	WIDTH	X	LENGTH	DOOR	CURB	ELECTRIC	LINK TEMP (°F)	CLOSING	—	OPTIONS
BSVL			X							—	
	A Aluminum Curb & Cover	Standard Sizes (W x L) 30" x 30" 36" x 30" 36" x 36" 48" x 48" 48" x 72" 48" x 96"			S Single Door	1 Single Wall 2 Double Wall 3 Curb Mount	N No Electrical L 24VDC/24VAC H 110VAC / 240VAC	165 350 212 360 280 450	R Rooftop Close W Manual Winch A Linear Actuator*	—	Dome, Polycarb. LPW White LPC Clear Double Dome, Polycarb. LPWW White/White LPCW Clear/White Multiwall LMC Clear LPZ Bronze LMB Blue LMG Green
	B Galvannealed Curb / Aluminum Cover	<i>Additional size options also available.</i>								<i>*Voids UL</i>	

LightMAX™ (Double + Quad Door)

SMOKE VENT

The Double and Quad Door LightMAX Smoke Vent is engineered with translucent covers using polycarbonate for the added sustainability benefit of natural daylighting. With options like color panels, and electrical operation, Babcock-Davis is sure to meet your building sustainability and fire and life safety needs.



FEATURES

MULTIWALL LIGHT TRANSMISSION Add optional color panels (pg. 25) to change natural daylighting characteristics.

OPTIONAL DOME Add the traditional look of a domed skylight with 1/8 inch thick UV coated polycarbonate available in clear, white or bronze colors.

DETAILS

COVER Extruded aluminum frame, 11 gauge, mill finish, with 5/8 inch 3 layer structural multiwall R-3 in white polycarbonate. Cover withstands a live load of 40psf.

CURB Single wall curb with EZ tab counterflash and mounting flange

- Aluminum: 11 gauge, mill finish
- Steel: 14 gauge galvaneal, high reflectance white powder coat

INSULATION 1 inch Polyiso R-6 around curb perimeter

GASKET Extruded EPDM adhesive backed gasket seal, continuous around cover

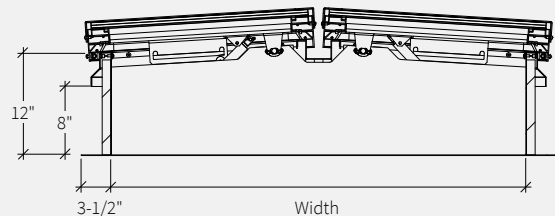
HINGE Heavy-duty pintle hing with stainless steel hinge pin

SPRING Gas spring damper opens cover against 10psf snow load

HOLD OPEN ARM Zinc plated steel automatic hold open arm locks cover in open position

LATCH Zinc plated steel rotary latch designed to hold covers closed against 90psf wind uplift. Opens manually by external and internal pull cables.

CERTIFICATIONS UL 793 Listed



Order Guide

BASE	MATERIAL	WIDTH	X	LENGTH	DOOR	CURB	ELECTRIC	LINK TEMP (°F)	CLOSING	—	OPTIONS
BSVL			X							—	
	A Aluminum Curb & Cover	Standard Sizes (W x L) 48" x 48" 48" x 72" 48" x 96" 60" x 60" 60" x 96" 60" x 120" 72" x 72" 72" x 96"			D Double Door Q Quad Door	1 Single Wall 2 Double Wall 3 Curb Mount	N No Electrical L 24VDC/24VAC H 110VAC / 240VAC	165 350 212 360 280 450	R Rooftop Close W Manual Winch A Linear Actuator*	—	Dome, Polycarb. LPW White LPC Clear Double Dome, Polycarb. LPWW White/White LPCW Clear/White Multiwall LMC Clear LPZ Bronze LMB Blue LMG Green
	B Galvannealed Curb / Aluminum Cover	<i>Additional size options also available.</i>								<i>* voids UL</i>	

AcousticMAX™ (STC 48)

SMOKE VENT

Block the intrusion of exterior environmental noise with Babcock-Davis' new STC 48 AcousticMAX Smoke Vent. Perfect for theaters and performing arts centers; every detail on these smoke vents is designed with precision.



FEATURES

INNOVATIVE SOUND CONTROL Designed to keep out unwanted noises ensuring acoustical integrity when all you want to hear is the performance.

PREFINISHED BLACK INTERIOR Eliminate field painting hassle with the prefinished interior that seamlessly integrates into the ceiling.



DETAILS

SOUND RATING(S) Independent third party tested to ASTM E90 and ASTM E1332 STC 48 - OITC 36

MATERIAL 14 gauge galvaneal steel; powder coat

FINISH High Reflectance White exterior cover with black interior liner and black curb

COVER Metal with liner, withstands a live load of 40psf with a max deflection of 1/150 the span

CURB Double wall curb with EZ tab counterflash and mounting flange

INSULATION Mineral wool and sound mat in cover and curb, total R-10

GASKET Extruded EPDM adhesive backed gasket seals

HINGE Stainless steel heavy duty pintle hinge

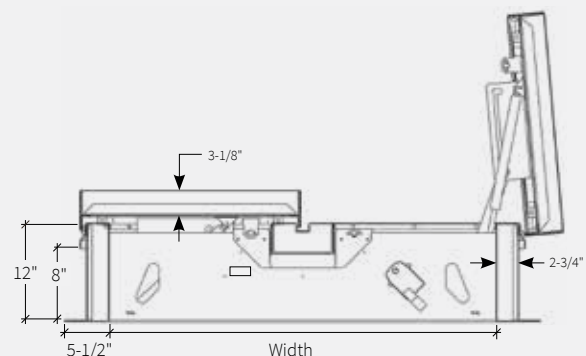
SPRING Gas spring with damper opens cover against 10psf snow load

HOLD OPEN ARM Zinc plated steel automatic hold open arm locks cover in open position

LATCH Zinc plated steel rotary latch designed to hold covers closed against 90psf wind uplift

OPERATION Opens automatically with a fusible link and manual pull handles

CERTIFICATIONS UL 793 Listed



ORDER GUIDE

BASE	WIDTH	X	LENGTH	DOOR	CURB	ELECTRIC	LINK TEMP (°F)	CLOSING	—	OPTIONS
BSVXG		X							—	
	Standard Sizes (W x L) 30" x 30" 36" x 30" 36" x 36" 48" x 48" 48" x 72" 48" x 96"			D Double Door Q Quad Door	2 Double Wall 3 Curb Mount	N No Electrical L 24VDC/24VAC H 110VAC / 240VAC	165 350 212 360 280 450	R Rooftop Close W Manual Winch A Linear Actuator*		OP1 Door Position Sensor B1A Burglar Bars
	Additional size options also available.									
										*Voids UL

AcousticMAX™ (STC 50)

SMOKE VENT

Providing both sound control and thermal performance, the new STC 50 AcousticMAX Smoke Vent is the industry's highest rated. With details like factory finished black interior, superior thermal performance and optional electrical operations and burglar bars, no detail was overlooked.

FEATURES

SUPERIOR THERMAL PERFORMANCE This R-14 energy-efficient smoke vent is designed to save money with reduced heat loss.

INNOVATIVE SOUND CONTROL Designed to keep out unwanted noises ensuring acoustical integrity when all you want to hear is the performance.



DETAILS

SOUND RATING(S) Independent third party tested to ASTM E90 and ASTM E1332 STC 50 - OITC 39

MATERIAL 14 gauge galvaneal steel; powder coat

FINISH High Reflectance White exterior cover with black interior liner and black curb

COVER Metal with liner, withstands a live load of 40psf with a max deflection of 1/150 the span

CURB Double wall curb with EZ tab counterflash and mounting flange

INSULATION Mineral wool and sound mat in cover and curb, total R-14

GASKET Extruded EPDM adhesive backed gasket seals

HINGE Stainless steel heavy duty pintle hinge

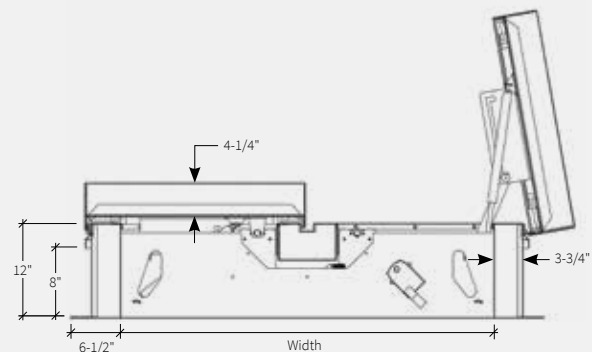
SPRING Gas spring with damper opens cover against 10psf snow load

HOLD OPEN ARM Zinc plated steel automatic hold open arm locks cover in open position

LATCH Zinc plated steel rotary latch designed to hold covers closed against 90psf wind uplift

OPERATION Opens automatically with a fusible link and manual pull handles

CERTIFICATIONS UL 793 Listed, and IBC1207 Compliant



ORDER GUIDE

BASE	WIDTH	X	LENGTH	DOOR	CURB	ELECTRIC	LINK TEMP (°F)	CLOSING	—	OPTIONS
BSVYG		X							—	
	Standard Sizes (W x L) 30" x 30" 36" x 30" 36" x 36" 48" x 48" 48" x 72" 48" x 96"			D Double Door Q Quad Door	2 Double Wall 3 Curb Mount	N No Electrical L 24VDC/24VAC H 110VAC / 240VAC	165 350 212 360 280 450	R Rooftop Close W Manual Winch A Linear Actuator*		OP1 Door Position Sensor B1A Burglar Bars
	<i>Additional size options also available.</i>									
										<i>*Voids UL</i>

Safety Railing

SMOKE VENT FALL PROTECTION

Babcock-Davis' OSHA compliant Safety Railing is ideal for new and retrofit applications. The safety railing mounts to the existing smoke vent curb counterflash without penetrating the membrane or curb.

FEATURES

FALL PROTECTION In accordance with OSHA regulations, the safety railing is engineered to guard smoke vent openings to protect against falls.

EASY FIELD INSTALLATION No field cutting required as rails cut to exact size. Easy assembly fittings and quick mounting on counterflash through curb.



DETAILS

MATERIAL Rails and posts, galvanized steel, 1-1/4 inch ID (1.66 inch) Schedule 40 pipe

FITTINGS Cast aluminum alloy with set screw hold

MOUNTING BRACKETS 3/16 inch steel, zinc plated with nut backing plate

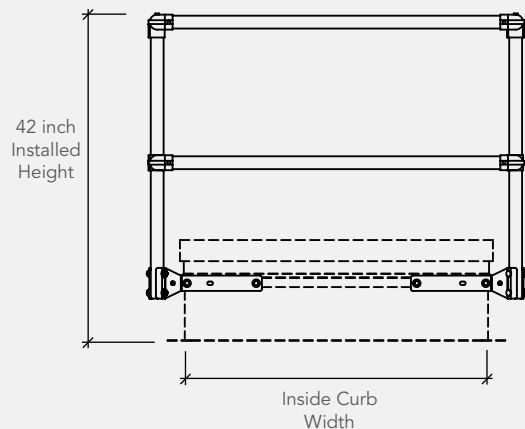
HARDWARE Hex head bolts 3/8 inch - 16 x 3/4 inch zinc plated steel

COMPLIANCE OSHA 29 CFR1910.23 guarding floor and wall openings and holes

ORDER GUIDE

4-SIDED	
MODEL	SIZE (IN.)
SRVG36X30NN	36 x 30
SRVG36X36NN	36 x 36
SRVG48X48NN	48 x 48
SRVG48X96NN	48 x 96
SRVG60X96NN	60 x 96
SRVG60X120NN	60 x 120
SRVG60X144NN	60 x 144
SRVG66X144NN	66 x 144
SRVG72X144NN	72 x 144

2-SIDED	
MODEL	SIZE (IN.)
SRVG48XNNTN	48
SRVG60XNNTN	60
SRVG72XNNTN	72



Burglar Bars

SMOKE VENT FALL PROTECTION

Babcock-Davis' Burglar Bars, a smoke vent accessory, are designed for security and safety and to prevent unauthorized entry. Engineered for each smoke vent, these bars are available on new installations as a factory installed option.

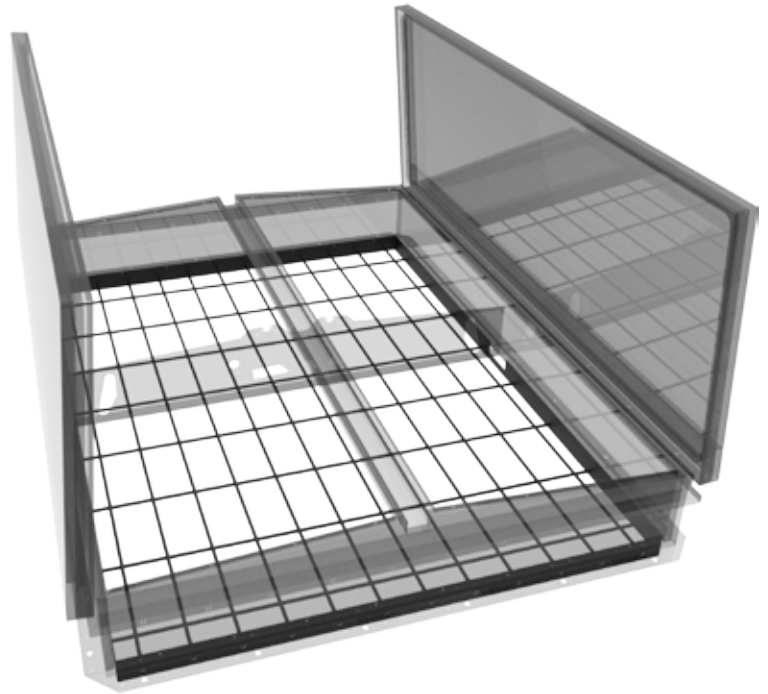
DETAILS

MATERIAL Steel, 1/2 inch or 3/4 inch diameter

SPACING 6 inch by 6 inch, 6 inch by 12 inch or custom

ORDER GUIDE

MODEL	DIAMETER	SPACING
B1A	1/2"	6" x 12"
B1B	1/2"	6" x 6"
B2A	3/4"	6" x 12"
B2B	3/4"	6" x 6"



Screen

SMOKE VENT FALL PROTECTION

The Fall Protection Screen, a smoke vent safety product, is designed to aid in fall protection. This sturdy screen, spaced 4 inch apart with fully welded intersections is available on new installations as a factory install option on each smoke vent. Third party tested with a drop test of 400 pounds of 30 inch diameter sandbag from 42 inches.

DETAILS

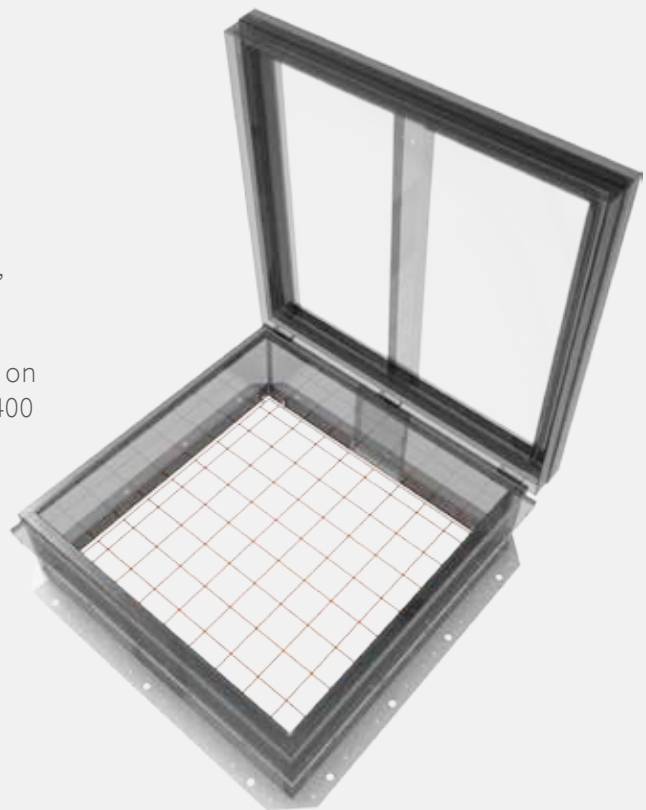
MATERIAL Steel, 0.163 inch diameter

SPACING 4 inch by 4 inch

COMPLIANCE OSHA 1926.502c

ORDER GUIDE

MODEL	DIAMETER	SPACING
B3C	0.163"	4" x 4"



Weighted Base

GUARD RAIL FALL PROTECTION

The OSHA compliant portable railing system is designed to keep people safe while working on rooftops and other structures. No need for tie-off points and expensive safety equipment.

FEATURES

PORTABLE BASE The weighted base is designed to be portable and installed where permanent mounting is not an option

EASY INSTALLATION The posts and rails are easy to assemble and install.

COORDINATING COLORS The system comes with a standard powder coat finish that is available in a wide range of colors to match your building's exterior.



DETAILS

MATERIALS

- Weighted Base and Post Assembly: Steel, 1-1/4 inch ID (1.66 inch OD) Schedule 40 pipe
- Horizontal and Corner Rails: 1-5/8 inch by .065 inch Steel

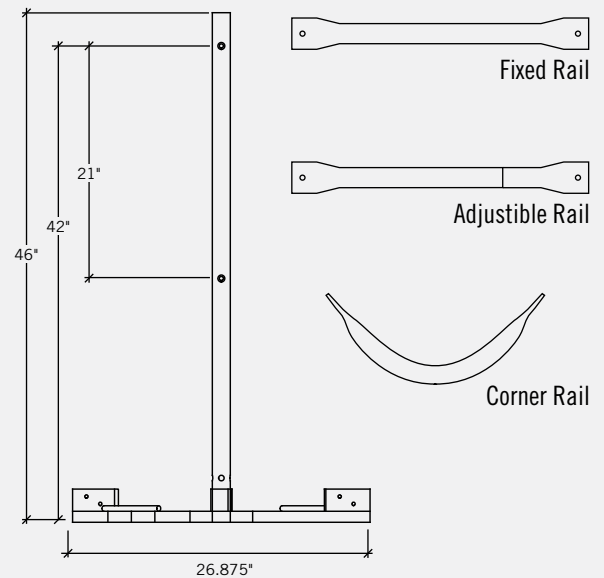
FINISH Powder Coat

RAIL FASTENERS 3/8 inch - 16 by 1 inch zinc plated steel

COMPLIANCE OSHA 29 CFR 1910.23 and 1926.502

STANDARD MODELS

MODEL	DESCRIPTION	DIMENSION	MATERIAL + FINISH
BFP-GRPBG	Weighted Base and Post	26.875" x 46"	Galv. Steel, Powder Coat
BFP-GRF60	Fixed Rail	5'	Steel, Powder Coat
BFP-GRF96	Fixed Rail	8'	Steel, Powder Coat
BFP-GRF118	Fixed Rail	9'- 10"	Steel, Powder Coat
BFP-GRA43	Adjustable Rail	2'-5" to 3'-9"	Steel, Powder Coat
BFP-GRA70	Adjustable Rail	3'-9" to 5'-10"	Steel, Powder Coat
BFP-GRA120	Adjustable Rail	5'-10" to 10'	Steel, Powder Coat
BFP-GRC12	Corner Rail	12"	Steel, Powder Coat



Perimeter

GUARD RAIL FALL PROTECTION

The OSHA compliant Permanent Guardrail system's unique bracket installs under the drip edge, coping cap, gravel stop or gutter system without penetrating the roofing system and allows for retro fit installations.

FEATURES

PERMANENT MOUNT The edge mounted guardrail system does not penetrate the roof membrane and installs under the coping and roof flashing.

EASY INSTALLATION The posts and rails are easy to assemble and install.

COORDINATING COLORS The system comes with a standard powder coat finish that is available in a wide range of colors to match your building's exterior.



DETAILS

MATERIALS

- Post and Bracket Assembly: Steel, 1-1/4 inch ID (1.66 inch OD) Schedule 40 pipe
- Horizontal and Corner Rails: 1-5/8 inch by .065 inch Steel

FINISH Powder Coat

STRUCTURAL FASTENERS

- Wood: RSS structural screws
- Concrete: Caliburn PH concrete pan head screw

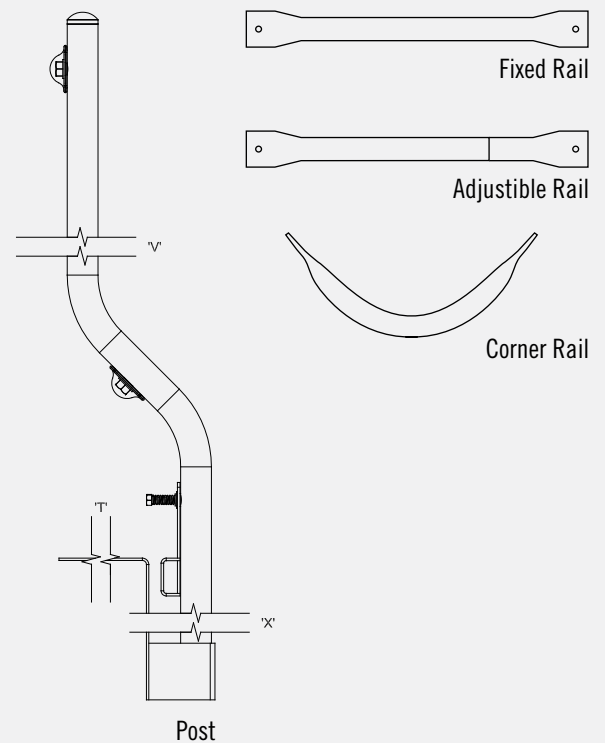
RAIL FASTENERS 3/8 inch - 16 x 1 inch zinc plated steel

COMPLIANCE OSHA 29 CFR 1910.23 and 1926.502

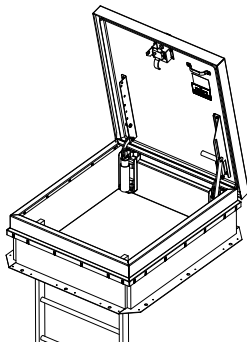
OPTIONS LadderGARD

STANDARD MODELS

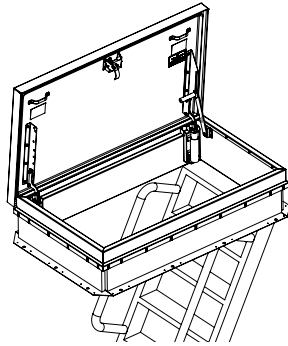
MODEL	DESCRIPTION	DIMENSION	MATERIAL + FINISH
BFP-GRPLG	Edge Mount Post	42"	Galv. Steel, Powder Coat
BFP-GRF60	Fixed Rail	5'	Steel, Powder Coat
BFP-GRF96	Fixed Rail	8'	Steel, Powder Coat
BFP-GRF118	Fixed Rail	9'- 10"	Steel, Powder Coat
BFP-GRA43	Adjustable Rail	2'-5" to 3'-9"	Steel, Powder Coat
BFP-GRA70	Adjustable Rail	3'-9" to 5'-10"	Steel, Powder Coat
BFP-GRA120	Adjustable Rail	5'-10" to 10'	Steel, Powder Coat
BFP-GRC12	Corner Rail	12"	Steel, Powder Coat



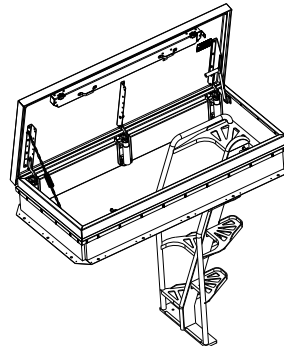
Access



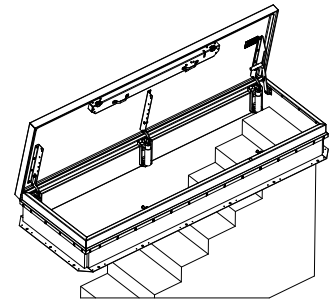
Ladder



Ship Stair



Alternating Tread Stair



Service Stair

Locks (Roof Hatch)



Detention Lock



Mortise Operated Deadbolt

Additional locks and options available, call 1.888.412.3726 for more information.

MODEL	TYPE	BRAND	DESCRIPTION	LOCK ACCESS
D11	Detention	Brinks 7016	Keyed Lock	Interior + Exterior
D5A	Detention	Southern Steel 1010AM	Prep Only	Interior + Exterior
D2A	Detention	Southern Steel 1010A	Prep Only	Interior Only
D12	Detention	Brinks 7016	Keyed Lock	Interior Only
MS1	Mortise	Schlage Cylinder/Deadbolt	Keyed Lock	Interior + Exterior
MS2	Mortise	Schlage Cylinder/Deadbolt	Keyed Lock	Interior Only
MB4	Mortise	Best Cylinder/Schlage Deadbolt	Non-Keyed w/Plastic Core	Interior + Exterior

Operations (Smoke Vent)

OPENING



Fusible Link



Pneumatic Actuator



Electrical



Pull Handle
(External & Internal)

CLOSING



Rooftop Close
R



Manual Winch
W



Linear Actuator
A

SECURITY



Door Position
Sensor OP1

Note: Also available on Roof Hatches

Curbs



Single Wall
1



Double Wall
2



Curb Mount
3

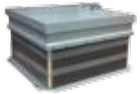


No Counterflash
4



Apron Mount
5

CURB HEIGHT



6 inch - 48 inch
H6 - H48

PITCH CORRECTION

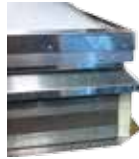


Match Roof Pitch
P__

INSULATION



1 inch Polyiso
IPP



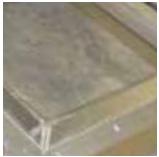
2 inch Polyiso
IRR

VENTILATION



Louvered Curb
V33

Domes (Roof Hatch + Smoke Vent)



Clear
(Standard)



White
LPW



Bronze
LPZ

COLOR	GLAZING	LIGHT TRANSMISSION	SOLAR FACTOR	R-VALUE
Clear	Single	92%	85%	1.25
White	Single	56%	56%	1.25
Bronze	Single	27%	35%	1.25
Clear/Clear	Double	92%	85%	2.0
Clear/White	Double	56%	56%	2.0

Note: Clear single glazing is the standard option, other options have additional charges and may require longer lead times.

Multiwall (Smoke Vent)



White
(Standard)



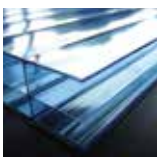
Clear
LMC



Green
LMG

COLOR	LIGHT TRANSMISSION	SOLAR FACTOR	SHADING COEFFICIENT
Clear	74%	75%	0.86
White	52%	63%	0.72
Bronze	37%	57%	0.65
Blue	45%	65%	0.74
Green	42%	60%	0.69

Note: White is the standard color, all other colors have additional charges and may require longer lead times.



Blue
LMB



Bronze
LMZ

Powder Coat

FINISH OPTION

Babcock-Davis' polyester based powder coatings demonstrate superior gloss and color retention in a variety of outdoor environments. Powder coat provides outstanding corrosion resistance and exhibits excellent mechanical properties.

APPLICATION Steel or Aluminum

WARRANTY 5 year

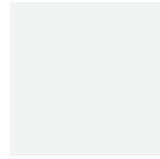
NOTE Red Oxide and High Reflectance White are the base colors of Roof Hatches and Smoke Vents, all other colors have additional charges and may require longer lead times.

Custom colors available, call 888.412.3726 for more information.

STOCK COLORS



Red Oxide
FP2



High Reflectance
White FP44

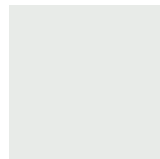


ANSI 70 Gray
FP1



Safety Yellow
FP48

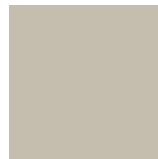
STANDARD COLORS *Readily available, but not stocked by Babcock-Davis.*



Coastal White
FP68



Bone White
FP3



Sandstone
FP5



Sierra Tan
FP8



Colonial Red
FP20



Dark Bronze
FP14



Charcoal Gray
FP7



Super Black
FP4

SPECIAL ORDER *Common industry colors, special order.*



Fine Ivory
FP13



Seawolf
FP15



Tan
FP17



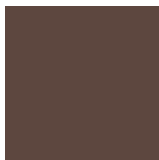
Slate Gray
FP6



River Rouge
FP21



Brick Red
FP19



Brown
FP18



Military Blue
FP10



Arcadia Green
FP23



Hemlock Green
FP24



Forest Green
FP25



Teal
FP22

This color chart is for reference only and is not to be used for final color / material matching. Babcock-Davis is not responsible or liable for color matches made with this chart.

Anodize

FINISH OPTION

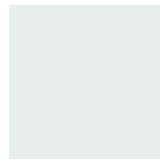
Protective and decorative anodizing applied to aluminum creates a corrosion resistant finish.

The clear finish (FA1) uses sulfuric Class II coating with a 0.4-0.7 mil thickness.

The clear finish (FA2) and integral color uses Duranodic with 0.7 mil and thicker.

APPLICATION Aluminum

WARRANTY 5 year



Clear
FA1 / FA2



Champagne
FA3



Light Bronze
FA4



Medium
Bronze FA5



Dark Bronze
FA6



Extra Dark
Bronze FA7



Black
FA8



Copper
Anodize FA9

Trinar®

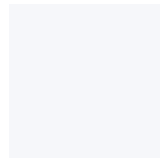
FINISH OPTION

Trinar® is a high performance fluoropolymer coating with 70% Polyvinylidene Fluoride (PVDF) and provides maximum resistant against color fade and chalking. The most durable and long lasting finish in the industry; meets or exceeds AAMA 620/621 and AAMA 2605.

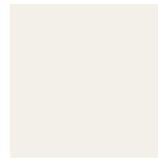
APPLICATION Aluminum

WARRANTY 10 year (standard) or 20 year

STANDARD COLORS



Polar White
FK80



Bone White
FK81



Taupe
FK82



Dove Gray
FK83



Slate Gray
FK84



Galaxy Blue
FK85



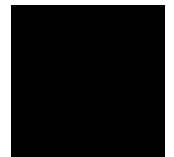
Forest Green
FK86



Autumn
FK87

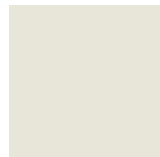


Medium
Bronze FK88



Black
FK89

SPECIAL ORDER *Common industry colors, special order.*



White Stone
FK90



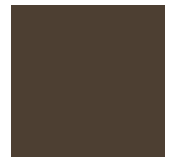
Surrey Beige
FK91



Sandstone
FK92



Medium Taupe
FK93



Seal Brown
FK94



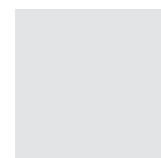
Milano Blue
FK95



Aged Copper
FK96



River Rouge
Red FK96



Bright Silver
FK98



Copper
FK99



Great Products.
Better Partners.



9300 73RD AVENUE NORTH
BROOKLYN PARK, MN 55428

(888) 412-3726
(888) 312-3726 FAX

WWW.BABCOCKDAVIS.COM